

# ARIT TRUSS SYSTEM



CKAS 054



IBS CERT NO. 5918



MS ISO 9001 : 2015 REG. NO. QMS 03576

# ARIT TRUSS SYSTEM

ARIT Truss System is made of light-weight high-tensile galvanised or zinc/aluminium alloy coated steel. It is designed for optimum strength at minimum cost to meet building industrial demand and also to complement any roofing systems. With its many advantages over timber or mild steel trusses, ARIT high-tensile steel truss system, which is more stable, durable and environmental-friendly, will certainly be the preferred choice of truss systems. A reliable and latest engineering software complying to various design standards is used in ARIT Truss System.

## ADVANTAGES

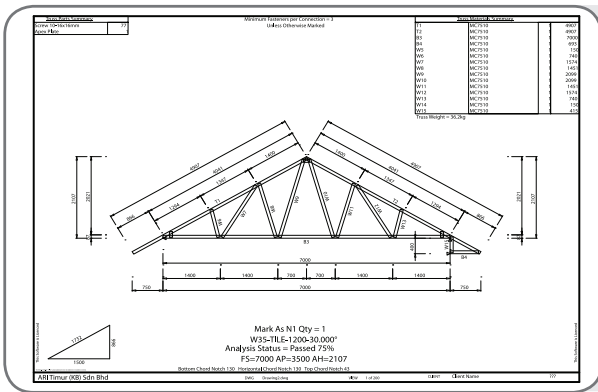
- Certified by IBS (Industrial Building System)
- Light-weight and durable
- Termite-proof and rust-resistant
- Non-combustible material - fire resistant
- Homogeneous material - consistent quality
- Practical installation
- Environmental-friendly
- Certified by JKR

## WARRANTY

ARIT Truss System fulfils International Standards in terms of material specification and engineering design.

A performance warranty of 10 years\* will be issued upon client request and installation verified in compliance with the Quality Control plan.

\*Warranty Terms & Conditions apply.



ROOF TRUSS DETAILS

Member Marking	Member Size	Qty	Length(mm)
T1	MC7510	1	4907
T2	MC7510	1	4907
B3	MC7510	1	7000
W4	MC7508	1	150
W5	MC7508	1	150
W6	MC7508	1	740
W7	MC7508	1	740
W8	MC7508	1	1451
W9	MC7508	1	1451
W10	MC7508	1	1574
W11	MC7508	1	1574
W12	MC7508	1	2099
W13	MC7508	1	2099

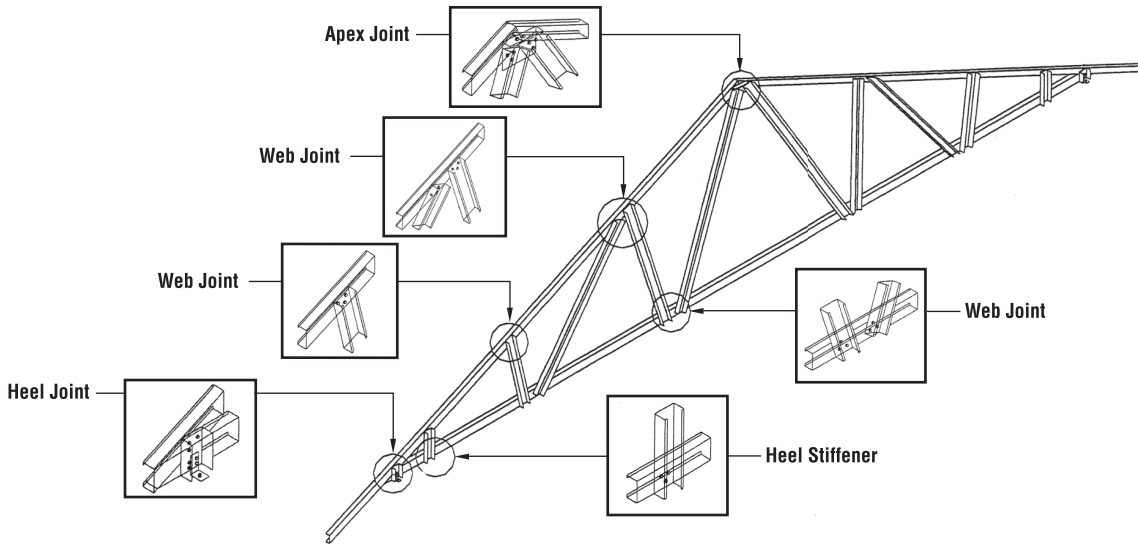
ARIT Truss System use C sections - C7510, C7512 and C10010 for chords and webs. Hat sections - MB35, MB35K, MB41 and MB60 are used as roof battens and bracing. Self-drilling screws are used at the Joints and Connections.

## PROFILE SECTIONS

	Profile	C05575	C05508	C05510	
	Thickness (BMT)	0.75mm	0.80mm	1.0mm	
	Material : High-Tensile Steel				
	Yield Strength : 550 MPa				
	Profile	C7575	C7508	C7510	C7512
	Thickness (BMT)	0.75mm	0.80mm	1.0mm	1.2mm
	Material : High-Tensile Steel				
	Yield Strength : 550 MPa				
	Profile	C10010			
	Thickness (BMT)	1.0mm			
	Material : High-Tensile Steel				
	Yield Strength : 550 MPa				
	Profile	C10016			
	Thickness (BMT)	1.6mm			
	Material : Hot-dipped high Tensile Steel				
	Yield Strength : 450 MPa				

	Batten MB30K	
	Thickness (BMT)	0.40/0.42mm
	Material : High-Tensile Steel	
	Yield Strength : 550 MPa	
	Batten MB35	
	Thickness (BMT)	0.42/0.50mm
	Material : High-Tensile Steel	
	Yield Strength : 550 MPa	
	Batten MB35K	
	Thickness (BMT)	0.42/0.50mm
	Material : High-Tensile Steel	
	Yield Strength : 550 MPa	
	Batten MB41	
	Thickness (BMT)	0.42/0.50mm
	Material : High-Tensile Steel	
	Yield Strength : 550 MPa	
	Batten MB60	
	Thickness (BMT)	0.42/0.50mm
	Material : High-Tensile Steel	
	Yield Strength : 550 MPa	

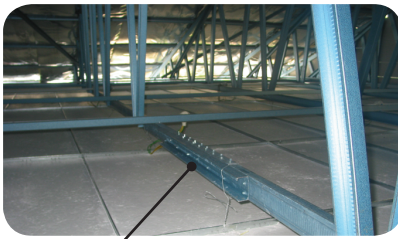
# TYPICAL TRUSS JOINT CONNECTION



L-Bracket

L-Angle

Creper plate



Bottom chord splice joint

Hip rafter

Heel soilder

Wall Plate



Apex plate

Batten MB60

Batten MB35

Wedge anchor

L-Bracket

## PROJECT REFERENCE



## SAMPLE OF SPECIFICATION

**ARIT** Truss System in light-weight high-tensile galvanised or zinc/aluminium alloy-coated steel. Truss details in accordance tot manufacturer's drawing and instructions.



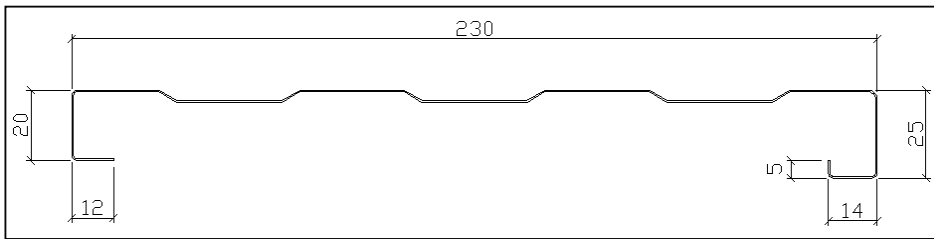
## ARI TIMUR

### METAL FASCIA BOARD

ARIT Metal Fascia Board can be incorporated with ARIT Truss System and Metal Roofing System. It has innovative advantages over conventional timber fascia board. Apart from being environment friendly, steel available and is much more stable in cost as compared to other materials.



### SPECIFICATION



#### Material :

Galvanised or zinc / aluminium alloy-coated steel

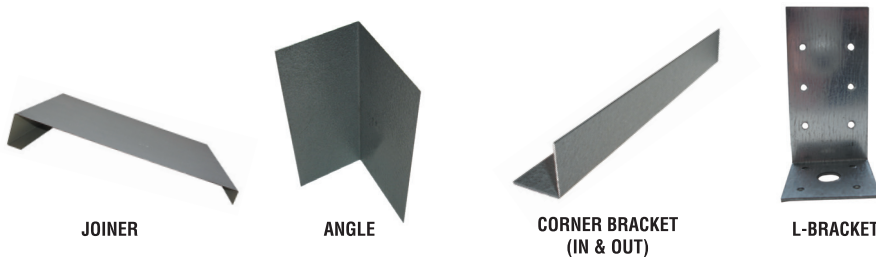
#### Thickness :

0.40mm BMT  
0.48mm BMT

#### Colours Available :

- Light Beige  
- Stone Grey

### ACCESSORIES



### CERTIFICATE



### SAMPLE OF SPECIFICATION

0.48mm BMT ARIT Metal Fascia Board in pre-painted hot-dipped zinc-coated steel or pre-painted hot-dipped zinc/aluminium alloy-coated steel, come complete with necessary fittings and accessories. Details in accordance with manufacturer's instructions.

All the information contained herein is factual and numerical values are accurate at the time of publication and subject to actual site conditions.

The information and illustration contained herein are for guidance only. Care has been taken to ensure all data and information herein is factual and numerical value are accurate at the time of publication. However, any or all technical specification, information and dimensions are nominal and provisional; they are subjected to change and variations in accordance with market conditions at the date of factual supply. No representation is made or to be implied as to the data and information herein; ARIT Truss System and its subsidiary and associate companies shall not be responsible for any errors in or misrepresentation of the information contained in this brochure or its use. ARIT Truss System reserve the right to alter any or all specifications as deemed fit and necessary without prior notice.

\*Colours printed in this brochure are as close as normal printing process would allow and customers are advised to check and verify your chosen colour against an actual sample of the product before purchasing.



**ARI TIMUR (KB) SDN BHD** (714587-K)  
Lot 1306, Kawasan Perindustrian Pengkalan Chepa II  
16100 Kota Bharu, Kelantan  
Tel : +609-774 5946  
Fax : +609-774 6946

Copyright @ 2020 by ARIT Truss System  
All rights reserved. 4th Edition October 2020.

4th Edition	October 2020
-------------	--------------